



ACUCT HINGED SPLIT-CORE

Standard Accuracy

The Hinged Split-Core Current Transformers are designed to convert an AC operating current into a low voltage AC millivolt signal for use with microprocessor-based circuits that require maximum accuracy and precision. These ultra-compact and light-weight hinged split-core current transformers are designed for installation on branch circuits within the electrical panel. The Hinged Split-Core CT Series is ideal for easy installation without disconnecting cables. Hinged Split-Core CTs come standard unterminated stripped and tinned lead wires for easy connection to any of the Single or 3 Phase ACI power meter. CT models listed here are compatible with the ACI KW350-P1-D-S-SC, KW320-P1-D-W-SC-XX, KW320-P1-D-W-SC-PC, KW1850-P1-D-W, and KW1850-P1-D-S Power Meters where typical power measurements are required. For best

accuracy, CTs should be selected based upon the size of the conductors being monitored by selecting the proper window size and referencing the expected maximum and minimum currents for the targeted application. The acceptable Measurement Current Range is referenced in the ordering grid table. Please contact ACI for more information regarding the Hinged Split-Core Current Transformers.

Applications: Retro Fitting Sub-Metering Electrical Panel, Equipment Load Monitoring, Industrial Applications, Predicted Maintenance, Renewable Energy, Overhead Cost Reduction, "NET ZERO" Buildings, LEED Buildings, Green Buildings, and Refrigeration

PRODUCT SPECIFICATIONS

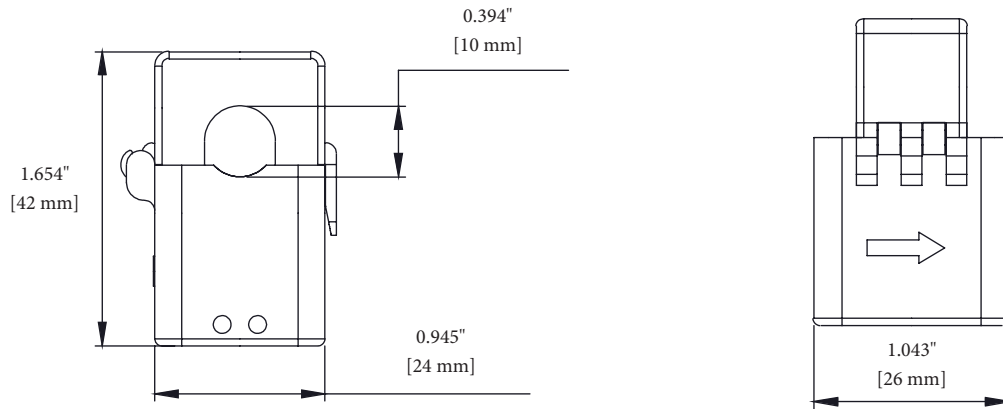
Monitored Current Type:	AC Current
Maximum Working Voltage:	600 VAC, Category III
Core Style:	Hinged Split-Core
Rated Output:	333mV @ 20/30/40/50/60/100/200 Amps (see ordering grid)
Operating Frequency Range:	50/60Hz
Sender Amperage Range:	See Ordering Grid
Accuracy¹:	0.5% from 10-120% of Rated Current
Operating Temperature Range:	5 to 140°F (-15 to 60°C)
Storage Temperature Range:	-40 to 185°F (-40 to 85°C)
Operating/Storage Humidity Range:	5 to 95%, non-condensing
Maximum Elevation:	9,842 ft (3 Kilometers)
Case Material/Flammability Rating:	Black Nylon/UL94V-0
Wiring Connections:	Stripped and Tinned Lead Wires
Lead Wire Colors:	White: Positive (+) Black: Negative (-)
Wire Size:	22 AWG (0.14 mm ²), 600V Rated VW-1, 105°C Black/Brown Twisted Pair (UL 1015)
Lead Length:	8.20' (2.5m) or 32.80' (10m) See Ordering Grid
Agency Approvals:	ULR, CE, & RoHS2 Compliant
Product Weight:	AcuCT-H040 Series: 0.2lbs (0.09kg) AcuCT-H100 Series: 0.4lbs (0.18kg)
Product Dimensions (L x W x H):	AcuCT-H040 Series: 1.64" (41.66 mm) x 1.16" (29.47 mm) x 1.04" (26.42 mm) AcuCT-H100 Series: 2.76" (70.11 mm) x 2.00" (50.80 mm) x 1.52" (38.61 mm)

Note 1: For maximum performance, make sure the core contacts are wiped clean and free of debris.

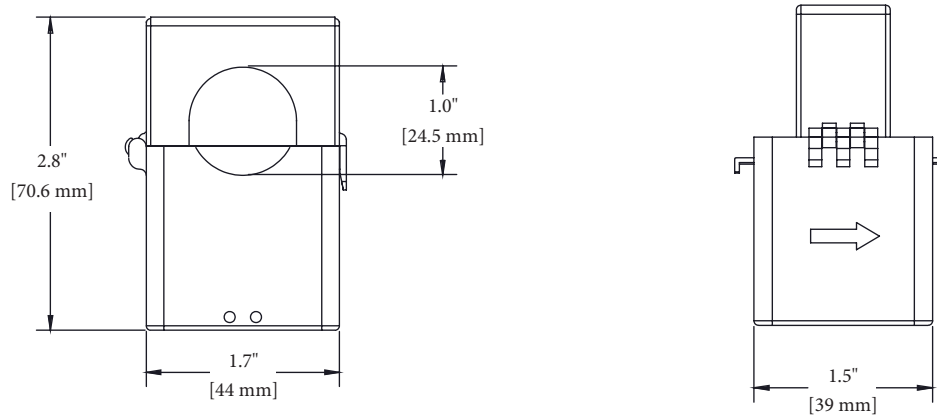


DIMENSIONAL DRAWING

AcuCT-H040



AcuCT-H100



FRONT VIEW

SIDE VIEW

ORDERING INFORMATION

Model #	Item #	Rated Current	Window Size	Output Signal (At Rated Current)	Lead Length
AcuCT-H040-20:333	148158	20A	0.4" (10.2 mm)	333 mV @ 20A	8 ft (2.5m)
AcuCT-H040-20:333-10M	148159	20A	0.4" (10.2 mm)	333 mV @ 20A	32 ft (10m)
AcuCT-H040-30:333	148160	30A	0.4" (10.2 mm)	333 mV @ 40A	8 ft (2.5m)
AcuCT-H040-40:333	148161	40A	0.4" (10.2 mm)	333 mV @ 40A	8 ft (2.5m)
AcuCT-H040-50:333-10M	148163	50A	0.4" (10.2 mm)	333 mV @ 50A	32 ft (10m)
AcuCT-H040-50:333	148164	50A	0.4" (10.2 mm)	333 mV @ 50A	8 ft (2.5m)
AcuCT-H040-60:333	148165	60A	0.4" (10.2 mm)	333 mV @ 60A	8 ft (2.5m)
AcuCT-H100-100:333	148166	100A	1.00" (25.4 mm)	333 mV @ 100A	8 ft (2.5m)
AcuCT-H100-100:333-10M	148167	100A	1.00" (25.4 mm)	333 mV @ 100A	32 ft (20m)
AcuCT-H100-200:333	148168	200A	1.00" (25.4 mm)	333 mV @ 200A	8 ft (2.5m)
AcuCT-H100-200:333-10M	148169	200A	1.00" (25.4 mm)	333 mV @ 200A	32 ft (10m)